

Video of application



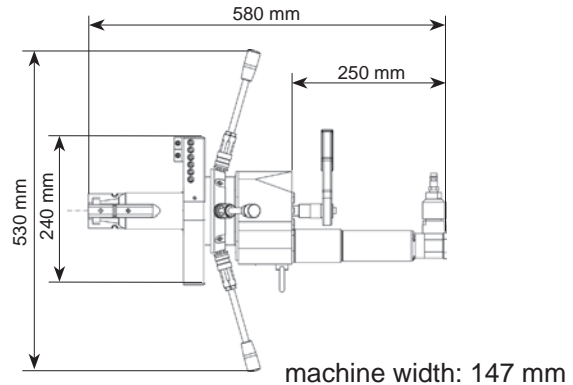
Pipe beveling machine MF4i

Working range ID-OD: 58 - 219,1 mm

The pipe beveling machine MF4i is designed for the preparation of pipe ends, branches and headers. It is used to process pipe walls, to cut pipes or to chamfer welds at steam bloc vessels. The machine is equipped with two air motors. The clamping device of the machine is regulated by a ratchet and the feed device by a star handle.



Dimensions



Specifications

Specifications MF4i			2 Pneumatic Motors		
Clamping range ID-ID	58 - 217 mm	2,283 - 8,543"	Power	1.700 W	2,4 HP
Working range ID-OD	58 - 219,1 mm	2,283 - 8,626"	Air pressure	6 bar	87 psi
Max. wall-thickness	25 mm	0,984"	Air consumption	1,92 m ³ /min	70,4 cfm
Feed	30 mm	1,181"	Air hose connection	3/8"	3/8"
Weight with pneumatic motor	17,9 kg	39,5 lb	Features	speed control	
Weld prep	facing, V-prep, J-prep, counter boring		Electric Motor		
Materials	steel, stainless steel, duplex, high alloyed		Power consumption	2.200 W (110V/230V)	2,9 HP
Tooling	tool bits, TiN inserts, custom bits		Features	speed adjustment, torque control	
Machine body	Aluminium alloy				

Accessories & additional options



Tools for MF4i from page



Special tool for beveling elbows